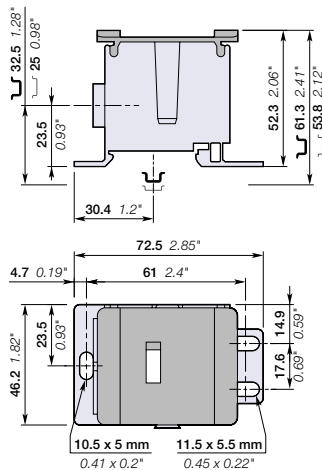


DBL175 Distribution Terminal Blocks

Single pole - 46.2 mm 1.81 in spacing



DBL175



46.2 mm 1.81 in spacing

Description

- Save installation time with our modular solutions,
- Ease the installation with plate or rail mounting options on our modular blocks,
- Thanks to the two inputs, easily increase the number of outputs using jumper, or increase the current rating with two wires, 300 A with 50 mm² wires and 350 A with 2/0 AWG wires.

Ordering details

Description	Color	Type	Order code	Pkg qty	Weight (1 pce) g
Feed-through Single pole distribution, 12 connections	Grey <input type="checkbox"/>	DBL175	1SNL317510R0000	1	200

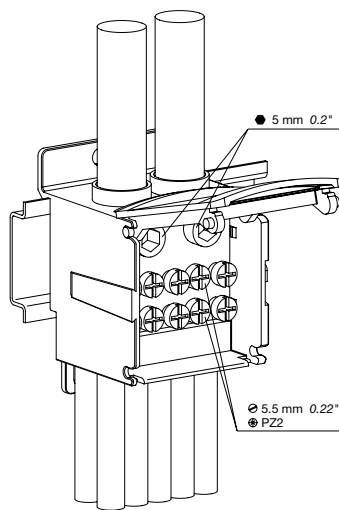
Main technical data

Connecting capacity	IEC		UL	Connection type	Cross section	
	Copper	Aluminium				
Max current / Max cross section	175 A / 70 mm ²	135 A / 70 mm ²	175 A / 2/0 AWG	2 x Ø 11.8 mm	10 ... 50 mm ²	10 ... 70 mm ²
Rated voltage	1000 V AC / 1500 V DC		1000 V	10 x Ø 6.4 mm	8 ... 1/0 AWG	6 ... 2/0 AWG
Rated impulse voltage					2.5 ... 16 mm ²	2.5 ... 16 mm ²
Short-time withstand current (I _{cw} 1s)	11000 A				14 ... 6 AWG	14 ... 6 AWG
Short Circuit Current Rating (SCCR)			100 kA			
Rated peak withstand current (I _{pk})	30 kA					
Protection	IP10		NEMA 1			

The connecting capacity data for one Rigid - Solid / Stranded - Flexible conductor (when applicable) is a mandatory information required by IEC, UL and CSA standards (Copper conductors). All other data are provided as supplementary information only.



Mounting instructions



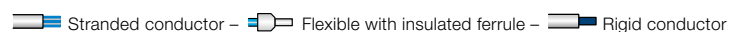
Rail	Tool	Diameter of cable Ø	Wire stripping length	Recommended torque
TH 35-7.5, TH 35-15	Allen key			
	5 mm 0.20 in	11.8 mm 0.46 in	15 mm 0.708 in	6... 10 Nm 53... 88 lb.in
	Posidriv - flat screwdriver			
	5.5 mm 0.22 in	6.4 mm 0.25 in	11 mm 0.43 in	2... 3 Nm 18... 26.5 lb.in



Accessories

Description	Color	Type	Order code	Pkg qty	Weight (1 pce) g
1 End stops	Grey <input type="checkbox"/>	10 mm 0.394 in	BAM2	1SNA206351R1600	50 12.00
		9 mm 0.354 in	BADL	1SNA39903R0200	50 4.70
		12 mm 0.472 in	BADH	1SNA116900R2700	50 20.00
2 Terminal block markers	White <input type="checkbox"/>	Pre-printed marker card	MC512PA	1SNK149002R0000	1 10.00
		Blank card	MC512	1SNK140000R0000	22 9.00

Some accessories such as jumper bars may modify the terminal block's ratings: Complete information available in the accessories section of the catalog.



All the technical data for UL/CSA standard and dimensions in inches are in italic.